



# International Components Corporation

Tel: 631-952-9595 • 800-645-9154 • Fax: 631-952-9597 • Email: [oemsales@icc107.com](mailto:oemsales@icc107.com)



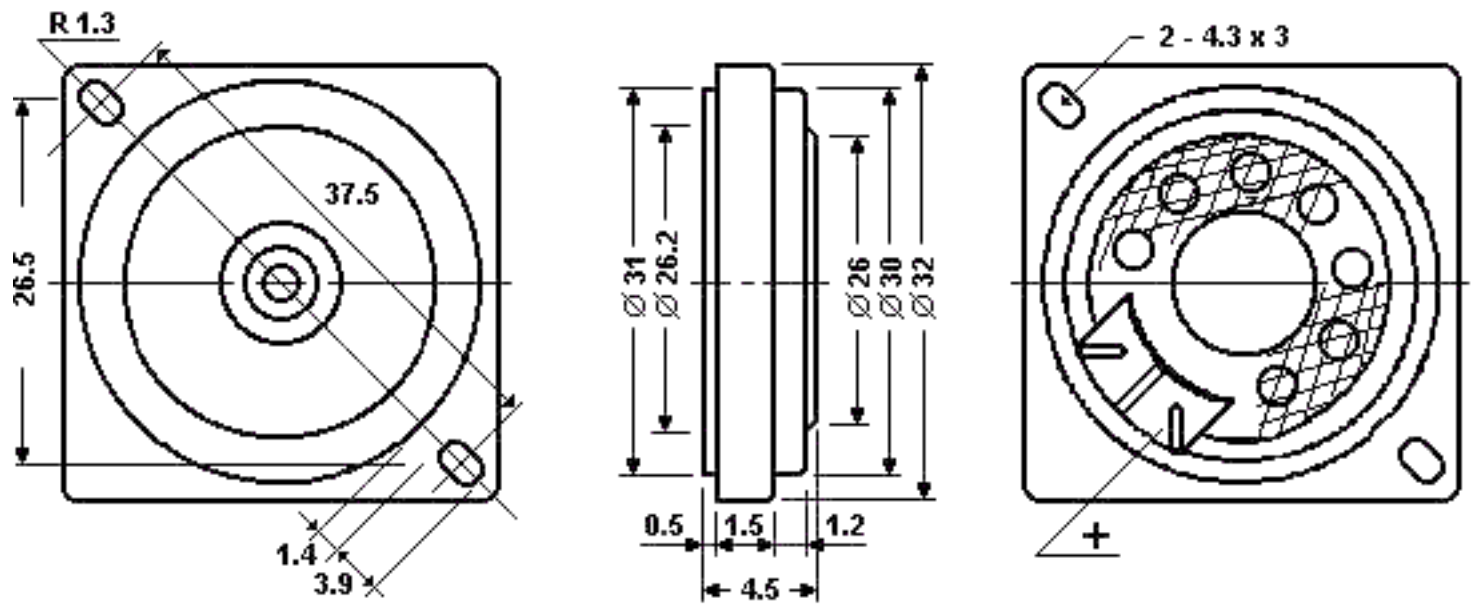
## MICRO MINIATURE LOW PROFILE SQUARE SPEAKERS

**Part Number: S125SLA**

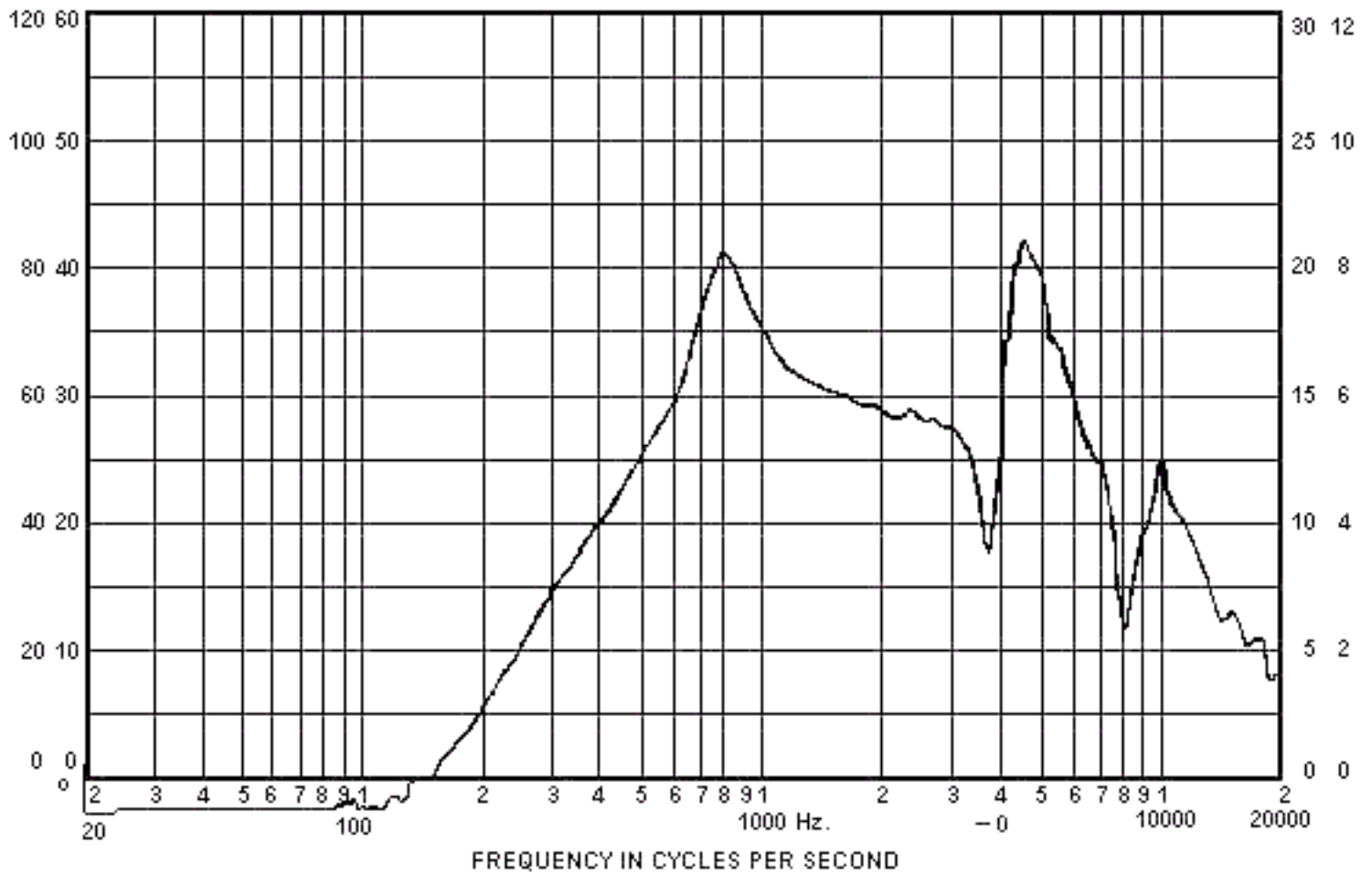
<b>MODEL NUMBER</b>	
<b>FRAME DIAMETER (MM)</b>	
<b>FRAME DEPTH (MM)</b>	
<b>MATERIAL - CONE / FRAME</b>	
<b>MAGNET TYPE</b>	
<b>MAGNET: SIZE (MM) - WEIGHT (OUNCES/GRAMS)</b>	
<b>RATED POWER (WATTS): Nom. / Max.</b>	<b>S125SLA</b>
	<b>32 x 32</b>
<b>VOICE COIL IMPEDANCE (OHMS)</b>	<b>4.5</b>
	<b>MYLAR / ABS</b>
<b>RESONANT FREQUENCY (Hz) Without Baffle</b>	<b>RARE EARTH</b>
	<b>9.5 x 1.5</b>

<b>FREQUENCY RESPONSE (Hz)</b>	<b>0.2 / 0.4</b>
	<b>8 ± 15%</b>
<b>OUTPUT SOUND PRESSURE LEVEL (S.P.L.)</b>	<b>800 ± 20%</b>
	<b>F<sub>o</sub> - 7,000 ± 10 dB</b>
<b>MEASURED AT:</b>	<b>80 ± 3 dB</b>
	<b>1W @ 1M</b>
<b>MEAN VALUE AT:</b>	<b>1.2, 1.5, 2.0, 2.5K Hz</b>
	<b>PROGRAM SOURCE 1 W</b>
<b>OPERATION (MUST BE NORMAL)</b>	<b>1.3 VOLTS - SINE WAVE</b>
	<b>10% MAXIMUM @ 1500 Hz</b>
<b>BUZZ &amp; RATTLES (MUST BE NORMAL)</b>	<b>1.3 VOLTS - 24 HOURS</b>
	<b>N/A</b>
<b>DISTORTION @ RATED POWER INPUT</b>	<b>N/A</b>
	<b>26 - VOICE COIL = 10.4</b>
<b>LOAD TEST (WHITE NOISE)</b>	<b>31</b>
	<b>26.4</b>
<b>HUMIDITY TEST</b>	<b>1.5</b>
	<b>0.126 / 3.6</b>
<b>HEAT TEST</b>	<b>37.5 - HOLES 3.9 x 2.6</b>
<b>OUTSIDE DIAMETER OF YOKE SEAT (MM)</b>	
<b>OUTSIDE DIAMETER (ELIMINATE RIM)</b>	
<b>BAFFLE OPENING (MM)</b>	
<b>THICKNESS OF RIM (MM)</b>	
<b>NET WEIGHT (OUNCES/GRAMS)</b>	
<b>MOUNTING DIMENSIONS/DIAGONAL (MM)</b>	
<b>POLARITY:</b>	
<b>DIAPHRAGM SHALL MOVE FORWARD WHEN APPLYING A POSITIVE DC CURRENT TO THE "+" (OR MARKED) TERMINAL.</b>	
<b>*SPEAKER MUST MEET NORMAL OPERATION AND BUZZ &amp; RATTLES SPECIFICATIONS</b>	

**■ DIMENSIONS**



■ TYPICAL FREQUENCY RESPONSE CURVE



Measuring Condition: 0.89 V 0.1 W 0.1 M X Axis Speed: mm/sec  
 Level Range: 60 dB Zero Level (Fundamental): 60 dB Y Axis Speed: mm/sec

[Return to top](#)